

BULBULLIA

design Francisco Gomez Paz

**LUCE
PLAN**

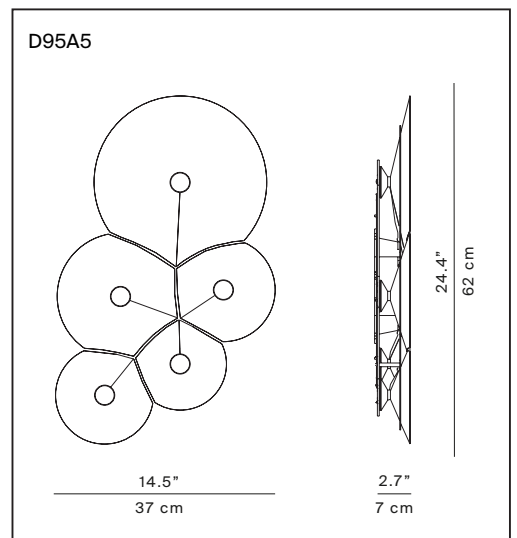
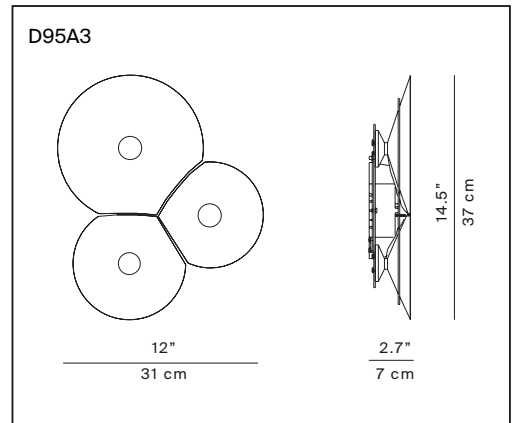
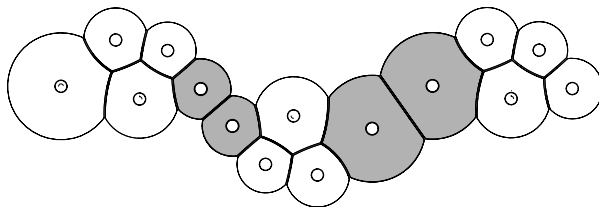
Type:	Wall/Ceiling
Light source:	D95A3 LED module 17W ^(†) 2700K 1.053 lm dimmable phase cut D95A3D LED module 16W ^(†) 2700K 1.053 lm dimmable push/DALI D95A5 LED module 27W ^(†) 2700K 1.910 lm dimmable phase cut D95A5D LED module 26W ^(†) 2700K 1.910 lm dimmable push/DALI
Product use:	Indoor
Materials:	Aluminium and polycarbonate
Colors:	White
Description:	A series of parabola of different sizes intersect to generate the characteristic geometric form of soap bubbles
Rating:	220-240 V ~ 50/60 Hz**



Insulation class and marks:

Reference code:	Structure
D95A3	1D950A300002 bianco
D95A3D	1D950A3D0002 bianco
D95A5	1D950A500002 bianco
D95A5D	1D950A5D0002 bianco

Connection kit only for D95A5/D95A5D
D95/3 1D950/030002



Compatible phase cut Dimmer list

Manufacturer	Model	Q'ty of parallel connection	Min. load (W)
Bush	6519U	10	40W
Busch	6513U-102	10	40W
ETMAN	321P	10	25W
CLIPSAL	32E450TM	10	10W
Schneider	SBD315RC	10	20W
CLIPSAL	32E450TM	10	10W

^(†) Power consumption by device

** D95A3 17W
D95A3D 16W
D95A5 27W
D95A5D 26W